

13 Tonne

City Crane



MCLEOD

CRANES | HIABS | TRANSPORT
DRILLING RIG LOGISTICS
LIFT ENGINEERING & CONSULTANCY

Kato MR130R


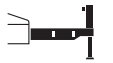


Lift Capacity: 13.0 Tonne
Boom Length: 24.0 m
Fly Length: 3.6-5.5 m

Main Hook Weight: 90 Kg
Aux Hook Weight: 25 Kg
Line Pull: 1.8 Tonne

13 Tonne Rating Chart

Not exceed 75% of static tipping loads

5.3m — 24.0m Boom

Working radius (m)	 (4.75m)						 (4.3m)						 (3.7m)						 (2.7m)						
	Outriggers fully extended (360° full range)						Outriggers intermediately extended (over side)						Outriggers intermediately extended (over side)						Outriggers intermediately extended (over side)						
	5.3m Boom	9.04m Boom	12.78m Boom	16.52m Boom	20.26m Boom	24.0m Boom	5.3m Boom	9.04m Boom	12.78m Boom	16.52m Boom	20.26m Boom	24.0m Boom	5.3m Boom	9.04m Boom	12.78m Boom	16.52m Boom	20.26m Boom	24.0m Boom	5.3m Boom	9.04m Boom	12.78m Boom	16.52m Boom	20.26m Boom	24.0m Boom	
1.5	13.00	6.00	6.00			13.00	6.00	6.00				12.00	6.00	6.00				12.00	6.00	6.00					
1.7	13.00	6.00	6.00			13.00	6.00	6.00				12.00	6.00	6.00				12.00	6.00	6.00					
2.0	12.00	6.00	6.00	5.00		12.00	6.00	6.00	5.00			12.00	6.00	6.00	5.00			12.00	6.00	6.00	5.00				
2.5	10.00	6.00	6.00	5.00		10.00	6.00	6.00	5.00			10.00	6.00	6.00	5.00			8.50	6.00	6.00	5.00				
3.0	8.20	6.00	6.00	5.00	4.70	8.20	6.00	6.00	5.00	4.70		8.20	6.00	6.00	5.00	4.70		6.00	6.00	6.00	5.00	4.70			
3.5	7.00	6.00	6.00	5.00	4.70	3.20	7.00	6.00	6.00	5.00	4.70	3.20	7.00	6.00	6.00	5.00	4.70	3.20	4.70	4.70	4.60	4.50	4.40	3.20	
4.0	6.10	6.00	6.00	5.00	4.70	3.20	6.10	6.00	6.00	5.00	4.70	3.20	6.10	6.00	6.00	5.00	4.70	3.20	3.70	3.70	3.70	3.70	3.70	3.20	
4.5		5.50	5.40	5.00	4.50	3.20		5.50	5.40	5.00	4.50	3.20		5.10	5.10	5.00	4.50	3.20		3.00	3.00	3.10	3.10	3.00	
5.0		5.00	4.90	4.60	4.05	3.20		5.00	4.90	4.60	4.05	3.20		4.40	4.40	4.50	4.05	3.20		2.40	2.40	2.60	2.70	2.70	
5.5		4.50	4.40	4.20	3.70	3.20		4.50	4.40	4.20	3.70	3.20		3.80	3.70	3.90	3.70	3.20		2.00	2.00	2.20	2.30	2.30	
6.0		4.10	4.00	3.80	3.40	3.00		4.10	4.00	3.80	3.40	3.00		3.20	3.20	3.40	3.40	3.00		1.70	1.70	1.85	2.00	2.05	
6.5		3.70	3.65	3.50	3.15	2.80		3.65	3.60	3.50	3.15	2.80		2.80	2.75	2.95	3.05	2.75		1.40	1.40	1.60	1.70	1.75	
7.0		3.35	3.30	3.20	2.90	2.60		3.20	3.15	3.20	2.90	2.60		2.40	2.35	2.55	2.70	2.50		1.20	1.20	1.40	1.50	1.55	
8.0		2.70 (7.7m)	2.90	2.70	2.50	2.25		2.65 (7.7m)	2.45	2.60	2.50	2.25		1.95 (7.7m)	1.80	2.00	2.10	2.15		0.90 (7.7m)	0.85	1.05	1.15	1.20	
9.0			2.25	2.30	2.20	1.95			1.90	2.10	2.20	1.95			1.40	1.60	1.70	1.75			0.60	0.80	0.90	0.95	
10.0			1.80	2.05	1.95	1.75			1.50	1.70	1.85	1.75			1.05	1.25	1.35	1.45			0.35	0.55	0.65	0.75	
11.0			1.45	1.70	1.75	1.55			1.20	1.40	1.55	1.55			0.80	1.00	1.10	1.20				0.40	0.50	0.60	
12.0			1.35 (11.4m)	1.40	1.50	1.40			1.10 (11.4m)	1.15	1.30	1.35			0.70 (11.4m)	0.80	0.90	1.00				0.25	0.35	0.45	
13.0				1.15	1.30	1.25				0.95	1.10	1.15				0.65	0.75	0.85					0.20	0.30	
14.0				0.95	1.10	1.15				0.80	0.90	1.00				0.50	0.60	0.70						0.20	
15.0				0.80	0.90	1.00				0.65	0.75	0.85				0.40	0.50	0.55							
16.0					0.79	0.85					0.65	0.70					0.40	0.45							
17.0						0.68	0.74					0.55	0.60					0.30	0.35						
18.0							0.58	0.64					0.45	0.50					0.30						
19.0					0.51 (18.8m)	0.55							0.35 (18.8m)	0.40											
20.0																									
21.0																									
22.0																									
22.5																									
Critical boom angle	—	—	—	—	—	—	—	—	—	—	—	—	—	—	—	—	23°	36°	—	—	—	19°	32°	44°	50°
Standard hook	for 13 ton						for 13 ton						for 13 ton						for 13 ton						
Hook mass	90kg						90kg						90kg						90kg						
Parts of line	8	4	4	4	4	4	8	4	4	4	4	4	8	4	4	4	4	4	8	4	4	4	4	4	

(Unit : Metric ton)



The charts that have been included have been reproduced from manufacturer specifications, and while every effort has been made to ensure their accuracy, we do not accept any responsibility for errors or omissions.

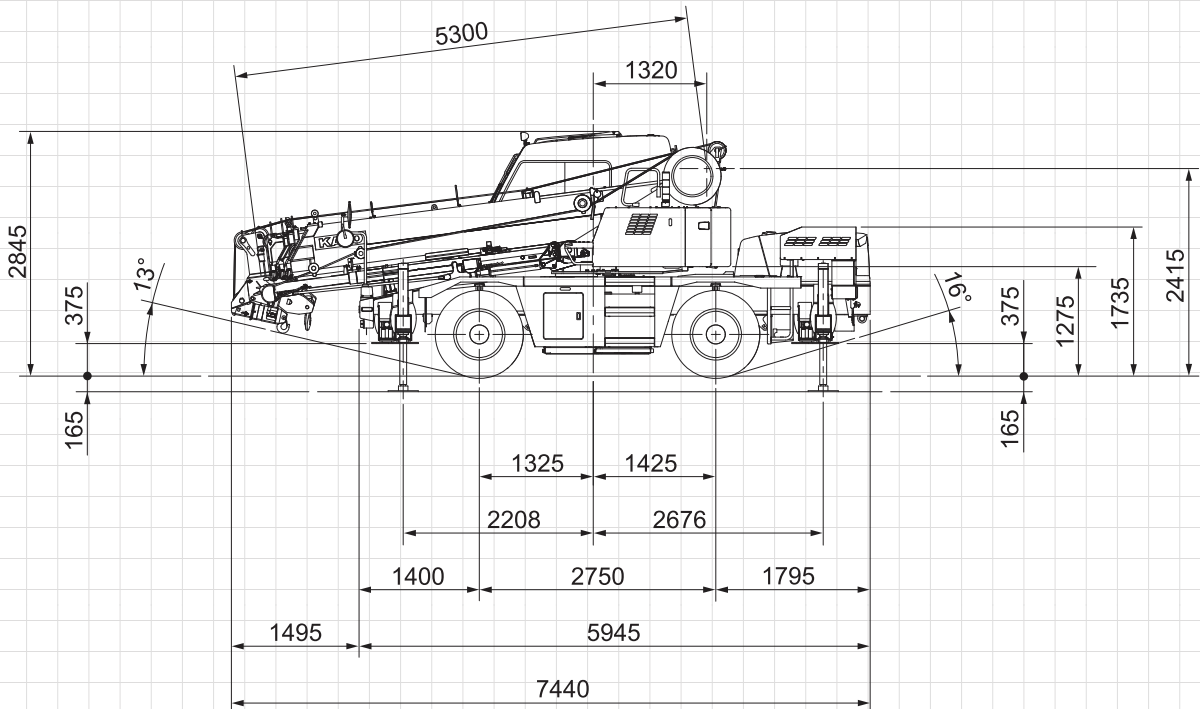
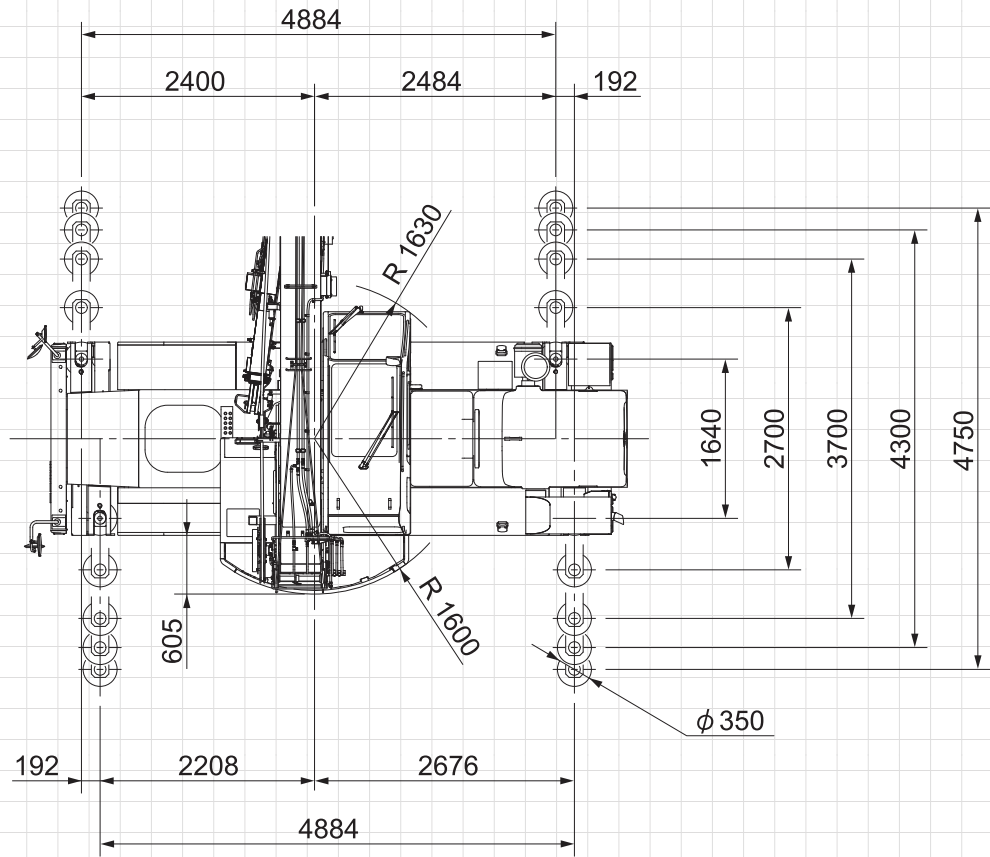
13 Tonne

City Crane

13 Tonne

City Crane

13 Tonne Dimensions



**Safety first.
McLeod first.**

13 Tonne

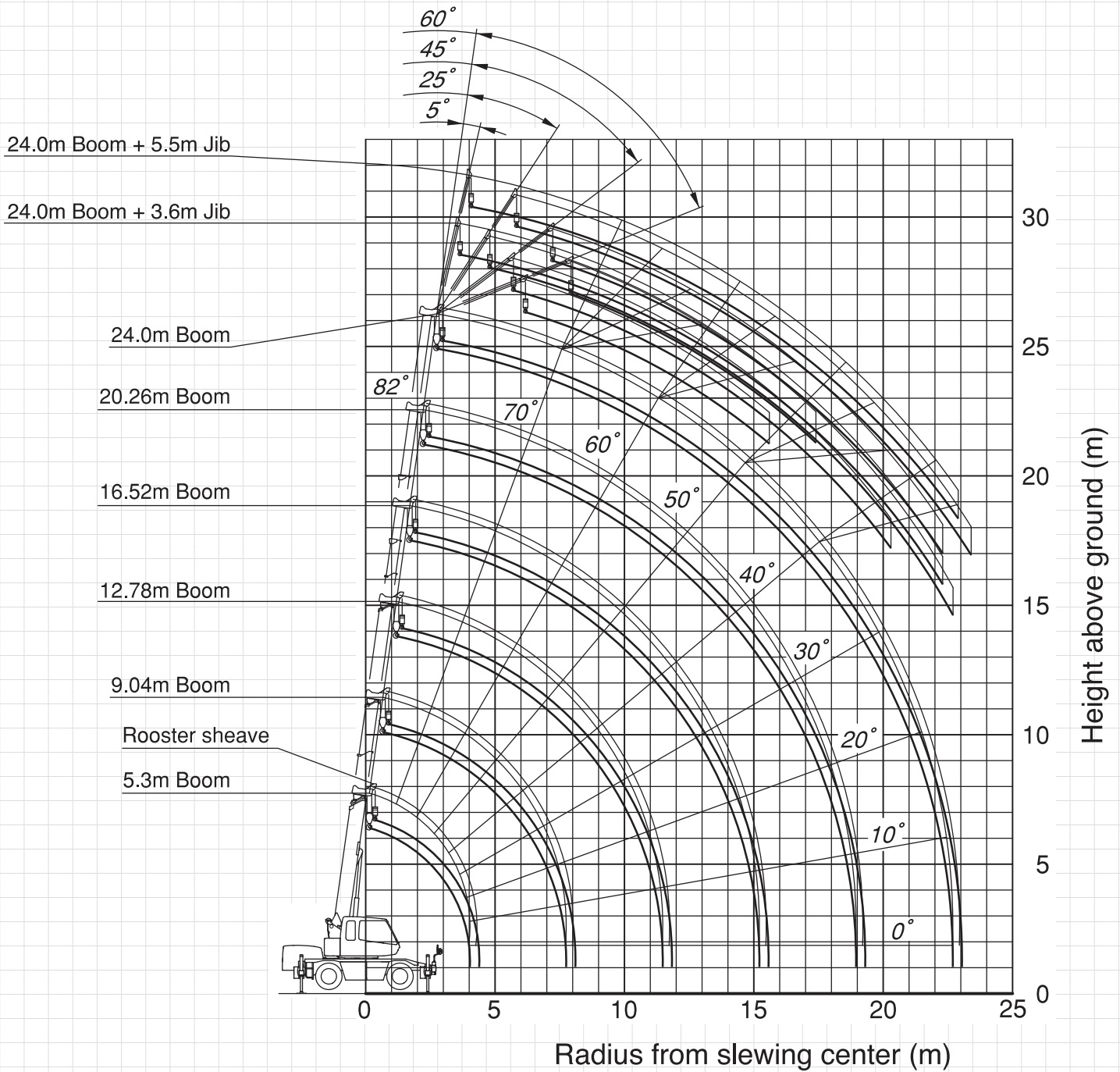
City Crane

13

Tonne

City Crane

13 Tonne Working Range



Note:

1. This diagram does not include deflection of boom and jib.
2. The outriggers are fully extended (360° full range).

**Safety first.
McLeod first.**

13

Tonne

City Crane